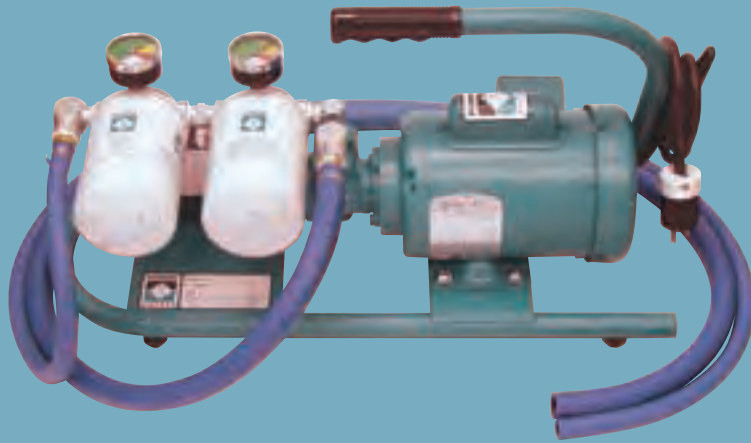


NEW:
FILTER FLUIDS
UP TO 10,000 **SSU**

Norman High Viscosity Filtration Systems



NORMAN FILTER COMPANY, L.L.C.
PHONE: 708-233-5521 • FAX: 708-430-5961
sales@normanfilters.com • www.normanfilters.com

HV — FILTER CART



FEATURES & BENEFITS

- 4 GPM Flow Capacity @7500 SSU
- Two Filters:
Longer Filter Life
Two Stage Filtration
1/8" NPT Drain Port
- Filtration Down to 3 Micron
- Water Absorbing Elements
- Industrial Quality Gear Pump
- Heavy Duty Cart with Drip Pan
- Pump Safety Relief Valve
- 12" Inlet & Outlet Hoses with 3' Steel Wands
- 0-100 PSID Pressure Gauge

Quality Filtration Systems That Won't Cost You More

Norman Filter Company is leading the way in High Viscosity Filtration Systems.

Have you ever had the need to filter a fluid with a viscosity rating greater than 500 SSU? With the Norman Filter Company line of Portable High Viscosity Filter Systems it is now possible to reach a maximum viscosity rating of **7500 SSU**.

Norman Filter Company's off-line High Viscosity Filtration systems are designed to filter your hydraulic, lube and gear oils during oil transfer or as a kidney loop process.

It is common to find contaminants ranging from water to particulate in new shipments of oil. On average 7g of particulate contamination is found in every 100 gallons of new barreled oil. In most cases the oil in your system is cleaner than a new unopened barrel.

Norman keeps your system running it's best by removing water and contaminants that can damage components and lead to costly repairs.

SPECIFICATIONS

INDUSTRIAL GRADE GEAR PUMP:
4 GPM

ELECTRIC MOTOR:
NEF04: 1 HP @ 1725 RPM. 1.15 S.F., TEFC
*Call Factory for Three Phase Options

ELECTRICAL SERVICE REQUIRED:
115/230 Volts, 10 Amps, Single Phase, 60 HZ*

POWER CORD:
12' Long Industrial Cord (14-3) With Standard 3-Prong Plug

ON/OFF SWITCH:
Industrial Toggle-Operated Motor Starter Mounted in a NEMA-1 Housing with replaceable Motor Overloads.

PUMP RELIEF SETTING:
100 PSIG Fixed.

FILTER BY-PASS SETTING:
44 PSID on Both Primary and Secondary Stage.

FILTER CART HOSES:
12' Long Steel Wire Reinforced PVC Hoses With 3' Long Metal Wands.

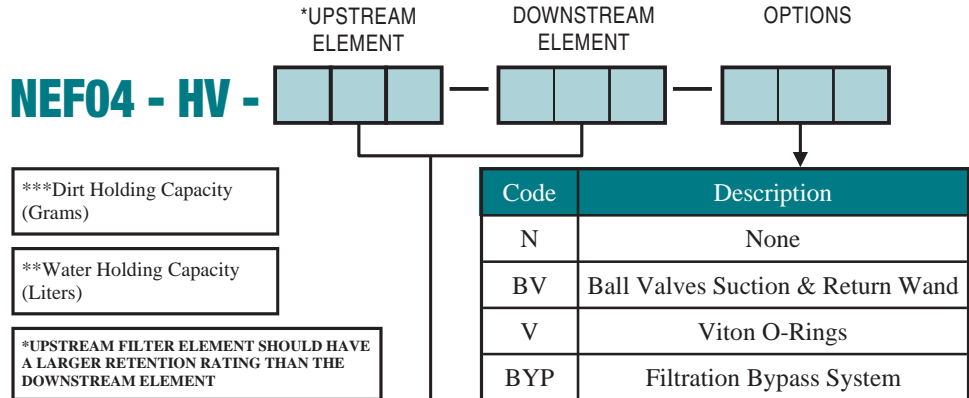
FLUIDS:
Petroleum based (7500 SUS Maximum)

WEIGHT:
150 lbs

DIMENSIONS:
46" H x 20" W x 20" D

*Also available in 50 HZ w/lower gpm for international use.
*Call our factory for three phase options.

HOW TO ORDER



FILTER ELEMENT OPTIONS

Code	3A	5A	5M	10A	10AQ	25A
Reorder Part Number	U-30004-3	U-30001-5	U-30001-5M	U-30002-10	U-30002-10AQ	U-30003-25
Length	18"	18"	18"	18"	18"	18"
Micron Rating	3	5	5 ABS	10	10	25
Media	Cellulose	Cellulose	Glass Fiber	Cellulose	Cellulose	Cellulose
Media Sq. inches	2880	2880	1512	2880	1512	2880
DHC***	850	1000	1000	1000	1000	850
WHC**	-	-	-	-	2.4	-
Case Qty.	6	6	6	6	6	6



HV — FILTER PANEL



FEATURES & BENEFITS

- 4 GPM Flow Capacity @7500 SSU
- Two Filters:
Longer Filter Life
Two Stage Filtration
1/8" NPT Drain Port
- Filtration Down to 3 Micron
- Water Absorbing Elements
- Industrial Quality Gear Pump
- Heavy Duty Panel
- Pump Safety Relief Valve
- 0-100 PSID Pressure Gauges
- Independent Kidney-Loop System
Filter changed-out without manufacturing down-time.

Off-Line Filtration Efficient and Economical

Kidney-Loop filtration is considered to be one of the most efficient means of hydraulic, lube and gear oil filtration.

When filtering your oils with a Norman High Viscosity Filter Panel you are processing the fluid at a regular steady rate allowing for optimal filtration while maintaining desired cleanliness levels at all times.

By using a combination of elements, both particulate and water contaminants can efficiently be removed from petroleum based oils with a viscosity up to **7500 SSU** maximum.

SPECIFICATIONS

INDUSTRIAL GRADE GEAR PUMP:
4 GPM

ELECTRIC MOTOR:
NEF04: 1 HP @ 1725 RPM. 1.15 S.F., TEFC
*Call Factory for Three Phase Options

ELECTRICAL SERVICE REQUIRED:
115 Volts, 10 Amps, Single Phase, 60 HZ*

POWER CORD:
None

ON/OFF SWITCH:
Industrial Toggle-Operated Motor Starter Mounted in a NEMA-1 Housing with replaceable Motor Overloads.

PUMP RELIEF SETTING:
100 PSIG Fixed.

FILTER BY-PASS SETTING:
Set @ 44 psi on Both Primary and Secondary Stage.

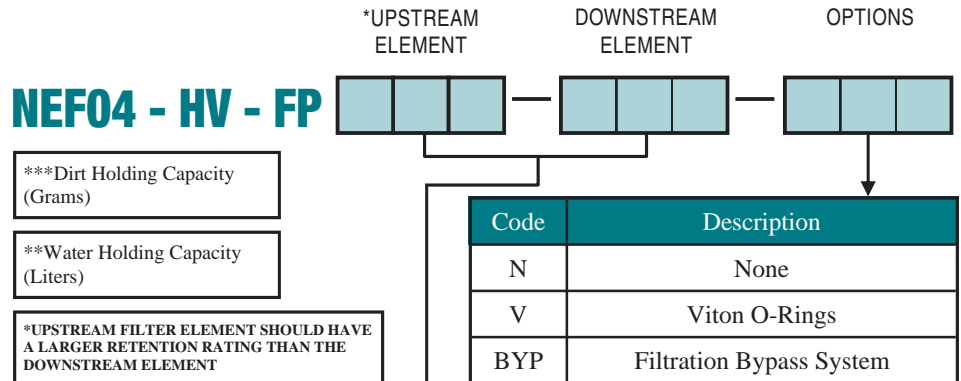
FLUIDS:
Petroleum based (7500 SUS Maximum)

WEIGHT:
146 lbs

DIMENSIONS:
43" W x 30-1/2" H x 11" D

*Also available in 50 HZ w/lower gpm for international use.
*Call our factory for three phase options.

HOW TO ORDER

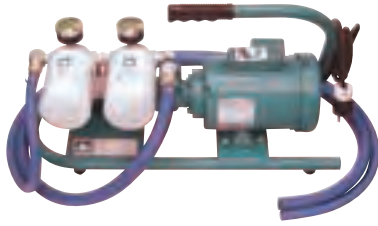


FILTER ELEMENT OPTIONS

Code	3A	5A	5M	10A	10AQ	25A
Reorder Part Number	U-30004-3	U-30001-5	U-30001-5M	U-30002-10	U-30002-10AQ	U-30003-25
Length	18"	18"	18"	18"	18"	18"
Micron Rating	3	5	5 ABS	10	10	25
Media	Cellulose	Cellulose	Glass Fiber	Cellulose	Cellulose	Cellulose
Media Sq. inches	2880	2880	1512	2880	1512	2880
DHC***	850	1000	1000	1000	1000	850
WHC**	-	-	-	-	2.4	-
Case Qty.	6	6	6	6	6	6



HV — MIGHTY MIGHT



FEATURES & BENEFITS

- Lightweight & Compact
- 1 GPM Flow Capacity @ 10,000 SSU
- Two Filters:
 - Longer Filter Life
 - Two Stage Filtration
 - Clean, Easy Filter Change-Out
- Filtration Down to 3 Micron Absolute
- Water Absorbing Elements
- Industrial Quality Gear Pump
- Heavy Duty Steel Frame
- Easy to Read Pressure Gauges
- Filters Rigidly Mounted to Frame

Portable Hand-Held High Viscosity Filtration System

Our High Viscosity Mighty Might is a unique portable lightweight Filtration System designed for those hard to reach places with viscosities up to **10,000 SSU** maximum.

The dual element design allows for two stage filtration and a variety of micron options.

With the Mighty Might's rugged construction, heavy duty steel frame, NEMA-10 starter switch and industrial grade pump/motor it is ideal for most hydraulic, lube and gear oil applications in any environment.

SPECIFICATIONS

INDUSTRIAL GRADE GEAR PUMP:

1 GPM

ELECTRICAL SERVICE REQUIRED:

115 Volts, 10 Amps, Single Phase, 60 HZ*

POWER CORD:

6' Long Industrial Cord (14-3) with standard 3-Prong Plug

ELECTRIC MOTOR:

Single Phase Motor, 1/4 HP 110/60 HZ

ON/OFF SWITCH:

Industrial Nema-10 Manual Starter Switch with built in Adjustable Motor Overload

FILTER BY-PASS VALVE SETTING:

Set @ 50 PSID on Both Primary and Secondary Stage.

FLUIDS:

Petroleum based (10,000 SUS Maximum)

MIGHTY MIGHT HOSES:

Two 6" Length-3/4" I.D.
No Hose End Fittings.
No Wands.

PUMP BYPASS:

*Call Factory for Options

WEIGHT:

43lbs.

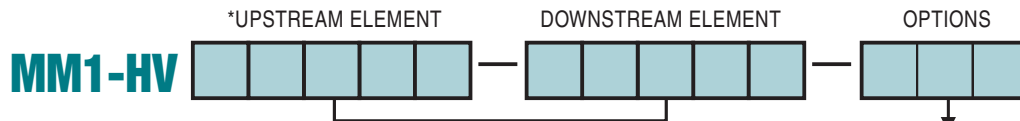
DIMENSIONS:

21" L X 12.5" H X 6.75" W

*Also available in 50 HZ w/lower gpm for international use.

*Call our factory for three phase options.

HOW TO ORDER



- ***Dirt Holding Capacity (Grams)
- **Water Holding Capacity (Ounces)
- *UPSTREAM FILTER ELEMENT SHOULD HAVE A LARGER RETENTION RATING THAN THE DOWNSTREAM ELEMENT

Code	Description
N	None
V	Viton O-Rings
BYP	Filtration Bypass System

FILTER ELEMENT OPTIONS

Part Number	303	303M	310	310AQ	310M	325	325M	3100
Length	5.3"	5.3"	5.3"	5.3"	5.3"	5.3"	5.3"	5.3"
Mtg. Thread	1-12	1-12	1-12	1-12	1-12	1-12	1-12	1-12
Micron Rating	3	3 ABS	10	10	10 ABS	25	25 ABS	141
Media Sq. inches	611	679	550	175	600	560	580	91
DHC***	17.5	31	16	8.0	24	30	34	17.3
WHC**	-	-	-	8.0	-	-	-	-
Case Qty.	12	12	12	12	12	12	12	12

Part Number	403	403AQ	410	425	425M	4100
Length	8.6"	8.6"	8.6"	8.6"	8.6"	8.6"
Mtg. Thread	1-12	1-12	1-12	1-12	1-12	1-12
Micron Rating	3	3	10	25	25 ABS	141
Media Sq. inches	935	309	947	947	947	160
DHC***	36	18	37	60	55	31
WHC**	-	14	-	-	-	-
Case Qty.	12	12	12	12	12	12



NORMAN FILTER COMPANY, L.L.C.

9850 SOUTH INDUSTRIAL DRIVE
BRIDGEVIEW, ILLINOIS 60455

PHONE: 708-233-5521

FAX: 708-430-5961

EMAIL: SALES@NORMANFILTERS.COM

WWW.NORMANFILTERS.COM